

MAC FAUCETS

The Widest Selection of Decorative Automatic Faucets

Autoluxe Faucets Are Available In Twenty Finishes



Autoluxe™ Model: FA400-132

Featuring:

- **Solid Brass Faucet.**
- Solid Brass Valving System.
- **Water Safe Control Electronics.**
- **Battery Powered, (4 Standard AA Batteries).**
- **Water Flow Adjustment Capability.**
- **Available in Twenty (20) Finishes.**
- **ADA Compliant.**
- **Drain Sold Separately.**

The model FA400-132 is ideal for bathroom applications where automatic faucets are an intricate component of the room's overall design element. **This unique faucet is also available with optional matching water mixing valve and matching soap dispenser.** However, don't let the good looks fool you. The model FA400-132 is a heavy duty faucet that is designed for heavy traffic applications. It features the Faucet Automator model FA400. Manufactured to last, the FA400 employs the latest in plug and play digital electronics, solid brass solenoid valve with integral filter and water flow adjustment, and it all comes in a package that is a breeze to install.

Package Includes

Faucet

FA400 Automator

*Single Water Source
Fitting*

*Mixing Valve, Factory
Preset 50/50*

Back Flow Preventers

**Please Note: Faucet
Sold Without Drain**

Stainless Steel Hose

Mounting Hardware

Batteries Pre-installed

*All the hardware necessary for
satisfactory installation*

ANSI A112.18.1M

CSA Standard B125, 2.2
U.S. GPM

Complies with NSF
Standard 61, Section 9

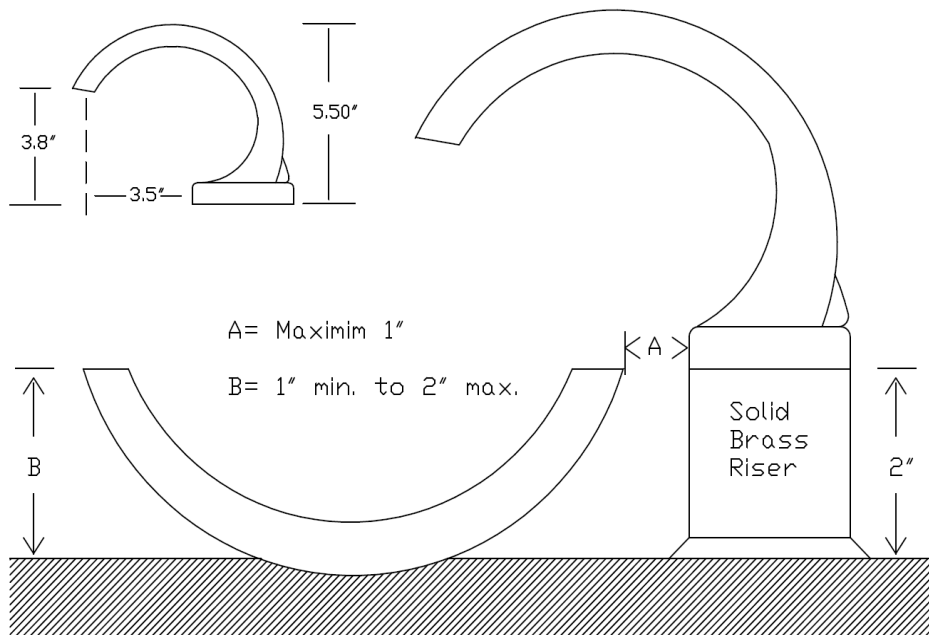
SPECIFICATIONS AND DIMENSIONS

MODEL:	FA400-132
SPOUT:	SOLID BRASS
POWER:	4 (AA) BATTERIES / AC ADAPTER OPTIONAL
BATTERY LIFE EXPECTANCY:	200,000 CYCLES
SOLENOID VALVE:	6 VOLT MAGNET LATCHING
WORKING WATER PRESSURE:	1 PSI -100 PSI
SUPPLY INLET SIZE:	1/2" NPT MALE
WATER TEMPERATURE CONTROL:	OPTIONAL
POP-UP DRAIN ROD:	OPTIONAL
SENSOR TYPE AND LOCATION:	ACTIVE INFRARED, BASE MOUNT
SENSOR MICROPROCESSOR:	DIGITAL, PUG AND PLAY
SENSING RANGE:	2" TO 8" ADJUSTABLE
RESPONSE TIME:	0.3 SECOND
SHUT-OFF DELAY TIME:	2 SECONDS
MAXIMUM RUNNING TIME:	60 SECONDS
PARTICLE FILTER SIZE:	50 MICRON
AERATOR:	2.2 GPM STANDARD, OPTIONS AVAILABLE

Optional Equipment:

- Lavatory Drain, Grid and Pop-Up Type. • Deck Plates for 4" and 8" sinks.
- Adjustable Under the Sink Mixing Valve. • Matching Above The Sink
- Water Mixing Valve. • Matching Soap Dispenser. • Matching Hole Cap
- Cover. • Matching Off-Body Pop-Up Lift. • AC Adapters.

All Dimensions in Inches



MAC Faucets 1289 North Post Oak Rd. Suite 160 Houston TX 77055

www.macfaucets.com Tel 713 316 9700 or 866 558 3200 Fax 310 919 3073 Email Info@macfaucets.com